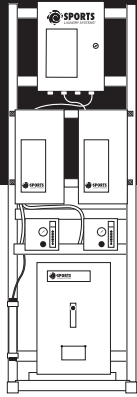




2500 State Road 44 • Oshkosh, WI 54904  
 920.231.8222 • FAX 920.231.4666  
[www.sportslaundrysystems.com](http://www.sportslaundrysystems.com)

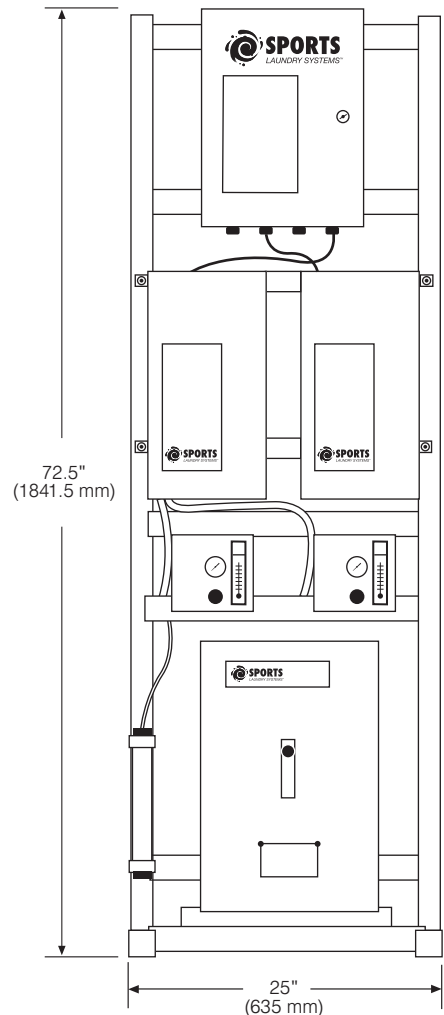


# AF-1, AF-2, AF-3, AF-4

SPORTS LAUNDRY SYSTEMS OZONE TOWERS

	<b>AF-1</b>	<b>AF-2</b>	<b>AF-3</b>	<b>AF-4</b>
Net Weight <i>lbs (kg)</i>	185 (84)	210 (95.3)	260 (117.9)	285 (129.3)
Crated Weight <i>lbs(kg)</i>	250 (113.4)	275 (124.7)	325 (147.4)	350 (158.8)
Machine Width <i>inch (mm)</i>	25 (635)	25 (635)	25 (635)	25 (635)
Machine Depth <i>inch (mm)</i>	22 (558.8)	22 (558.8)	22 (558.8)	22 (558.8)
Machine Height <i>inch (mm)</i>	76 (1930.4)	76 (1930.4)	76 (1930.4)	76 (1930.4)
Ozone Generator Input Voltages	90-260 volts/47-63Hz	90-260 volts/47-63Hz	90-260 volts/47-63Hz	90-260 volts/47-63Hz
Number of Washers	1	2	3	4
Pound Capacity	up to 100-pounds	up to 200-pounds	up to 300-pounds	up to 400-pounds

\*\* Specifications subject to change without notice or obligation. Call Sports Laundry Systems for dimensions not shown or for clarification.



Model AF-2 Shown